

SCHOTTKY BARRIER RECTIFIER

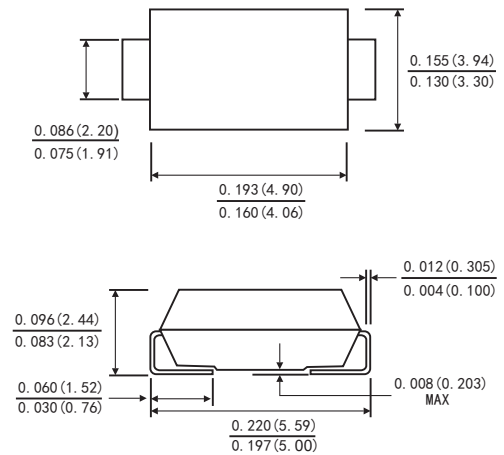
Reverse Voltage - 20 to 200 Volts
Forward Current - 5.0Amperes

■ FEATURES

- Plastic package has Underwriters Laboratory Flammability Classification 94V-0
- Metal silicon junction ,majority carrier conduction
- For surface mount applications
- Low power loss ,high efficiency
- High current capability ,Low forward voltage drop
- Low profile package
- Built-in strain relief ,ideal for automated placement
- For use in low voltage ,high frequency inverters, free wheeling ,and polarity protection applications
- High temperature soldering guaranteed:260°C/10 seconds at terminals
- Component in accordance to RoHS 2011/65/EU



SMB(DO-214AA)



Dimensions in inches and (millimeters)

■ MECHANICAL DATA

- Case: JEDEC SMB(DO-214AA) molded plastic body
- Terminals: solder plated ,solderable per MIL-STD-750,method 2026
- Polarity: color band denotes cathode end
- Weight: 0.003ounce,0.093 gram

■ MAXIMUM RATINGS AND ELECTRICAL CHARACTERISTICS

(Ratings at 25°C ambient temperature unless otherwise specified ,Single phase ,half wave ,resistive or inductive load. For capacitive load,derate by 20%.)

	Symbols	SS 52B	SS 53B	SS 54B	SS 56B	SS 510B	SS 515B	SS 520B	Units	
Maximum repetitive peak reverse voltage	V _{RRM}	20	30	40	60	100	150	200	Volts	
Maximum RMS voltage	V _{RMS}	14	21	28	42	71	105	140	Volts	
Maximum DC blocking voltage	V _{DC}	20	30	40	60	100	150	200	Volts	
Maximum average forward rectified current (see fig.1)	I(AV)	5.0							Amps	
Peak forward surge current 8.3ms single half sine-wave superimposed on rated load (JEDEC method at rated T _J)	I _{FSM}	150.0							Amps	
Maximum instantaneous forward voltage at 5.0 A(Note 1)	V _F	0.55		0.70	0.85	0.90	0.95		Volts	
Maximum instantaneous reverse current at rated DC blocking voltage(Note 1)	T _A =25°C	100				20				μA
	T _A =100°C	5				-				mA
	T _A =125°C	-				3				
Typical junction capacitance(Note 3)	C _J	500				400				Pf
Typical thermal resistance (Note 2)	R _{θJA}	70.0							°C/W	
	R _{θJL}	25.0								
Operating junction temperature range	T _J	-55 to+150							°C	
Storage temperature range	T _{STG}	-55 to+150							°C	

- Notes: 1. Pulse test: 300 μs pulse width,1% duty cycle
 2. P.C.B. mounted 0.55X0.55"(14X14mm) copper pad areas
 3. Measured at 1MHz and reverse voltage of 4.0 volts

■ RATINGS AND CHARACTERISTIC CURVES

FIG.1-FORWARD CURRENT DERATING CURVE

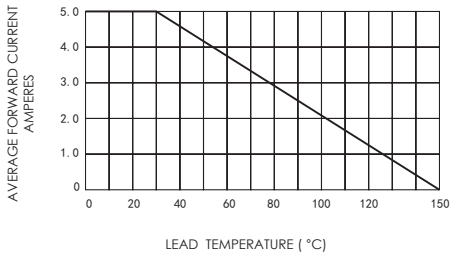


FIG.2-MAXIMUM NON-REPETITIVE PEAK FORWARD SURGE CURRENT

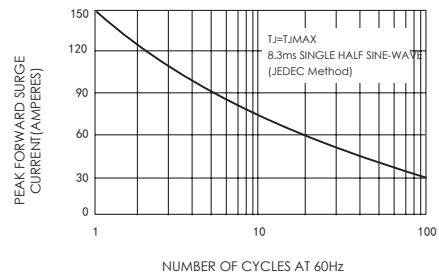


FIG.3-TYPICAL INSTANTANEOUS FORWARD CHARACTERISTICS

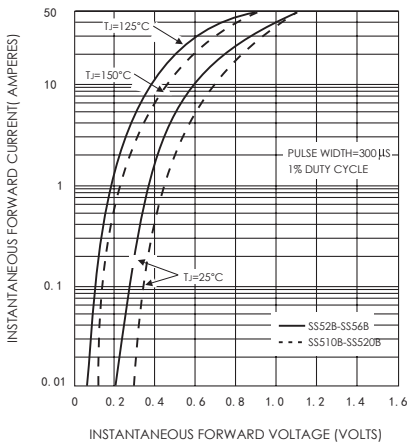


FIG.4-TYPICAL REVERSE CHARACTERISTICS

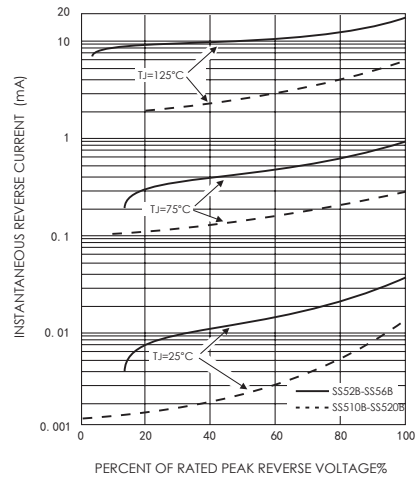


FIG.5-TYPICAL JUNCTION CAPACITANCE

